



# Web based RFID PIN Controller

- ★ IP 65 Rating Weather Proof
- ★ Multiple card types support (EM/ Mifare standard)
- ★ Cost-Effective door controller solution
- ★ Flexible TCP/IP wiring plan solution provided



Site Security, Access Control and Time Attendance

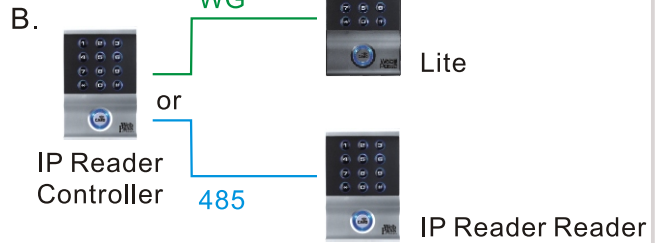
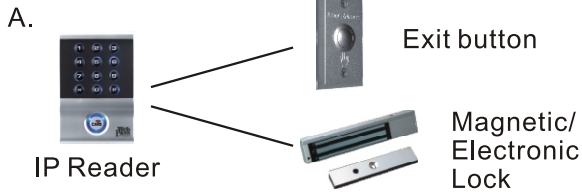
## WEBPASS IP Reader

### Specification:

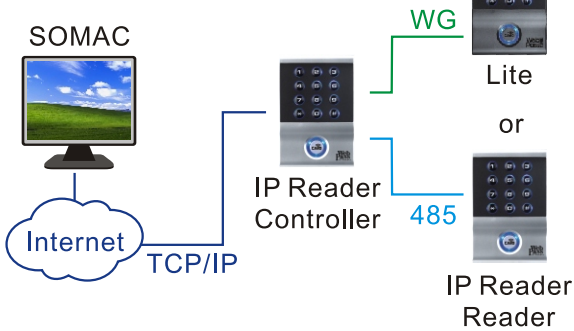
- Image capture (IP camera required)
- Controller, sub-controller and dummy reader types
- Built-in control contact setting/ relay box/ Input & Output device
- Card Capacity: 20,000 Users
- Log data: 65,535 entries
- SOMAC software
- Special Anti Pass Back design
- 255 Time Sets/ 120 Time Zones/ 255 Groups/ 100 Holidays
- Support IP-7131/ 7133/ 7330, ACM/ TCM serials: IP camera
- Support WE1612H: DVR
- E-mail Alarm sending on time and Surveillances functions
- Operation Temperature: 0°C ~ 70°C
- Operation Humidity: 30% ~ 90% (RH)
- Power: 9~24VDC/1A
- Dimension: 120 X 80 X 25 (mm)/ 150 g.

## Configurations :

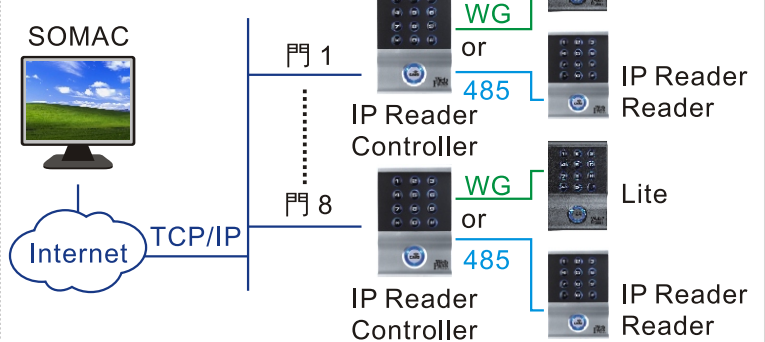
### 1. Standalone solution :



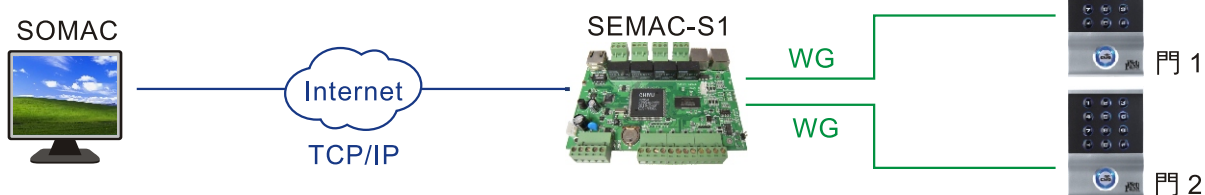
### 2. Single-door TCP/IP solution :



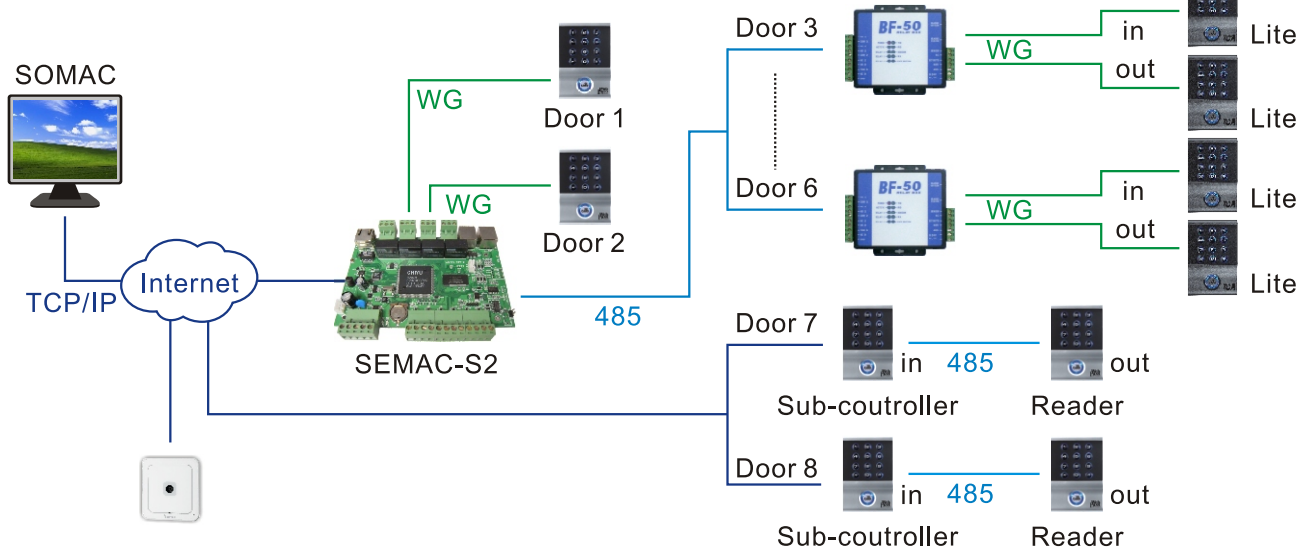
### 3. Multi-door TCP/IP solution :



### 4. Single door SEMAC-S1 with WebPass IP Reader WG reader solution :



### 5. Multi door SEMAC-S2 with WebPass IP Reader WG reader Solution :



## How to order :

Model	Type	Application
WEBPASS IP Reader	E : EM M : Mifare Others	Standalone/ Single Door-Bidirectional/ Multi-door