



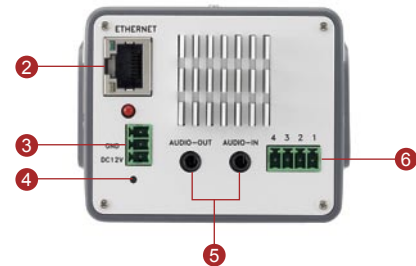
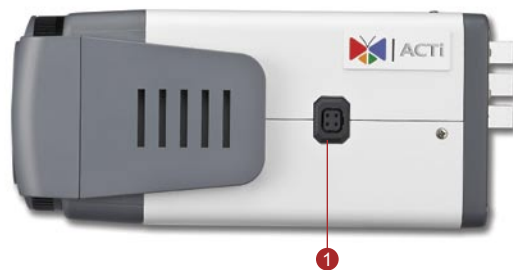
TCM-5311

H.264 CCD Megapixel IP Box Camera



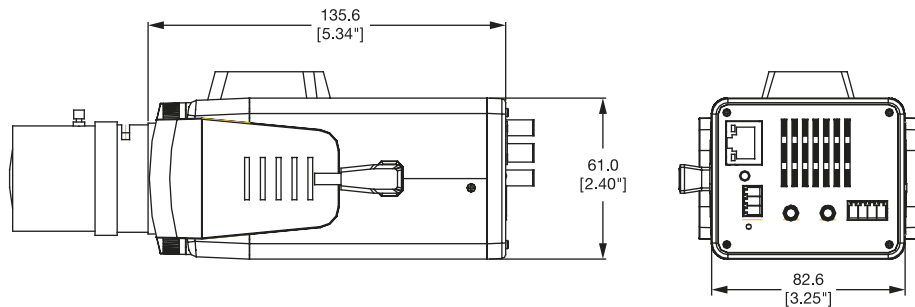
* The lens needs to be purchased separately.

- 1/3" Sony 1.25 M EXviewHAD CCD
- Day and night function with Mechanical IR Cut Filter
- 0.05 Lux at F1.2
- Interchangeable Lenses Available
- White Balance, Exposure, Gain Controls supported
- The external back focus feature allows for easy and precise focus adjustments
- H.264 / MPEG-4 / MJPEG triple codec with two simultaneous streams
- Up to 1280 x 960 resolution at 15 FPS
- Two-way audio supported
- Hardware motion detection, Digital Input / Output
- DC 12V or Power Over Ethernet (IEEE 802.3af)



- | | |
|-----------------------------|--------------------------|
| 1 DC Iris Lens Control Port | 4 Reset Button |
| 2 Ethernet Port | 5 Audio Input / Output |
| 3 Power Input | 6 Digital Input / Output |

DIMENSION DIAGRAM



Unit: mm [inch]

**PRODUCT SPECIFICATION**

| | | TCM-5311 |
|-------------------------|---|---|
| Image | Device | SONY Progressive Scan 1.25M Pixel EXviewHAD CCD |
| | Size | 1/3 inch |
| | Effective Pixels | 1296 (H) x 966 (V) |
| | Horizontal Resolution | 900 TVL |
| Min. Scene Illumination | Color | Color mode automatically switched to B/W mode (User defined) |
| | B/W | 0.05 Lux at F1.2 (30 IRE, SAGC) |
| | IR Sensitivity | from 700nm to 1100nm |
| | CDS Sensor | N/A |
| Lens | Lens Mount | C/CS (with adaptor) |
| Synchronization | Sync. System | Internal |
| Day/Night Functions | Mechanical IR Cut Filter | Yes |
| | Motion Detection | Yes (3 Windows) |
| Functions | Electronic Shutter | 2~1/500 up to 1/100,000 sec. |
| | Fixed Shutter (Manual) | 1/60 ~ 1/10,000 sec. (60Hz); 1/50 ~ 1/10,000 sec. (50Hz) |
| | Flickerless | Auto On/Off |
| | BLC | Auto On/Off |
| | AGC | Super AGC 0~36 dB |
| | White Balance | Auto, Indoor1, Indoor2, Outdoor1, Outdoor2, Hold Current, Manual |
| | S/N Ratio | S/N Ratio |
| Video Compression | Compression | H.264/ MPEG-4 SP/ MJPEG simultaneous dual streams selectable |
| | Picture Resolution | SXGA (1280x960) |
| | | HD720 (1280x720) |
| | | VGA (640x480) |
| | | QVGA (320x240) |
| QQVGA (160x112) | | |
| Bit Rate | 28K ~ 6M bps | |
| Image Frame Rate | 15 fps at SXGA; 30 fps at HD720; 30 fps at VGA; 30 fps at QVGA; 30 fps at QQVGA | |
| Audio Input | Compression | 8kHz, Mono, PCM |
| | Audio Line Input | Unbalanced, 1.4Vp-p, 1Vrms, 3.5mm Phone Jack |
| Audio Output | Compression | 8kHz, Mono, PCM |
| | Audio Line Output | Unbalanced, 1.4Vp-p, 1Vrms, 3.5mm Phone Jack |
| Alarm | Digital Input | 1, TTL, Terminal Block |
| | Digital Output | 1, TTL, Terminal Block |
| External I/O | Reset Button | Factory Default |
| | LED | System Status |
| Network | Ethernet Port | Ethernet (10/100 Base-T), Terminal Block |
| | Protocol | TCP, UDP, HTTP, HTTPS, DHCP, PPPoE, RTP, RTSP, IPv6, DNS, DDNS, NTP, ICMP, ARP, IGMP, SMTP, FTP, UPnP |
| Software | Web Browser | Microsoft Internet Explorer 6.0 or above |
| | SDK | ACTi SDK-10000 |
| | Security | Password Protection: Configured by the Administrator |
| Operating | Temperature | -10°C ~ 50°C (14°F ~ 122°F) |
| Power | Power Requirement | PoE (IEEE 802.3af) with Class 3 |
| | Power Consumption | 6.72 W (DC 12V); 7.68 W (PoE) |
| Physical | Dimensions (WxHxD) | 135.6mm x 82.6mm x 61.0mm (5.34" x 3.25" x 2.40") |
| | Weight | 505g (1.1lb) |
| Approvals | Certificate | CE, FCC |

ACCESSORY OPTIONS

- Lens, f2.8~12mm F1.3, CS mount, Format 1/3"
- Camera bracket
- Outdoor Housing (AC 220V)

PLEN-0203
PMAx-1100-000R0
PMAx-0201-000R0

- Lens, f8~80mm F1.6, C mount, Format 1/2"
- Outdoor Housing (AC 110V)

PLEN-0205
PMAx-0200-000R0