

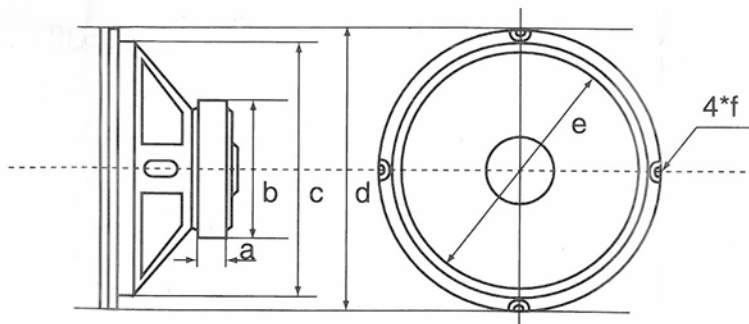
SK SERIES LOUDSPEAKER UNIT

ELECTRICAL DATA

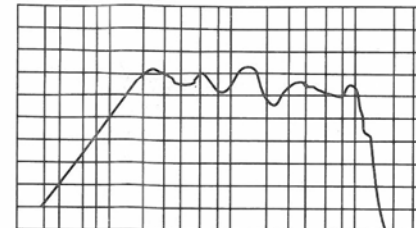
TAPE \ DATA	IMPEDANCE	SENSITIVITY (1W/1M)	LOADING POWER	FREQUENCY RESPONSE	WEIGHT
SKBN-401	8 OHMS	82dB	80 WATTS MAX	55Hz-10KHz	
SKBN-401	4 OHMS	82dB	80 WATTS MAX	55Hz-10KHz	
SKBN-501	8 OHMS	83dB	70 WATTS MAX	137Hz-10KHz	
SKBN-601	8 OHMS	87dB	80 WATTS MAX	45Hz-5.8KHz	
SKBN-601	4 OHMS	87dB	80 WATTS MAX	45Hz-5.8KHz	
SKBN-801	4 OHMS	89dB	100 WATTS MAX	35Hz-6KHz	

MECHANICAL PARAMETERS

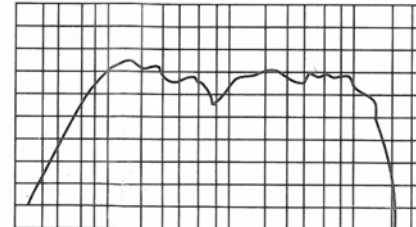
TAPE \ PARAMETERS	SIZE	a	b	c	d	e	f
SKBN-401	4"	15mm	70mm	105mm	115mm	99mm	4mm
SKBN-501	5.5"	30mm	114mm	114mm	144.5mm	134mm	4.5mm
SKBN-601	6 1/2"	17mm	100mm	145mm	178mm	169mm	4.5mm
SKBN-801	8"	20mm	120mm	186mm	210mm	194mm	5mm



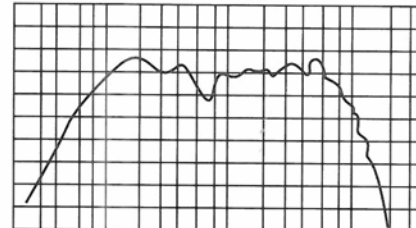
SKBN-401



SKBN-501



SKBN-601



SKBN-801

