

ViPRO MVR-612

12CH Hybrid Mobile Digital Video Recorder



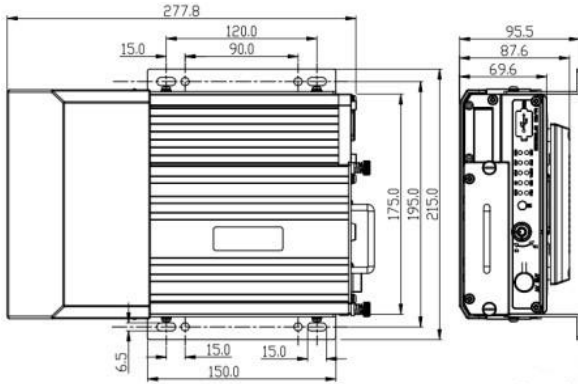
MVR-612 is an advanced 12CH Hybrid Mobile Digital Video Recorder specially designed for vehicle surveillance solution and remote monitoring at high-definition video quality. It has a high-speed processor and embedded operating system, combining with the most advanced H.264 video compression / decompression technology, network, and GPS positioning technology. MVR-612 supports video recording in 720P, WD1, HD1 and CIF formats, vehicle travel information recording and wireless data upload. With center software it also achieves alarm linkage central monitoring, remote management and playback analysis. It is powerful with modular design, flexible installation, easy maintenance and high reliability.

Key Features

- Support 8CH WD1+4CH 720P IP or 4CH WD1+8CH 720P IP
- Modular design for easy maintenance
- Anti-vibration design for 360 degree installation
- Support 2.5" HDD storage and SD card for mirror recording
- Dual streams for local recording and wireless transmission
- Built-in GPS for location tracking
- Built-in 3G/4G for live view and remote management
- Built-in WIFI for video files and alarm files download
- Built-in inertia sensor
- Built-in heater

Dimensions

(unit: mm)



Optional Accessories



Technical Specifications

Product series		MVR-612
Overview		Preview, Record, Playback, Network, Locate
System	OS	Linux 3.0.8
	Control Mode	Mouse, Network, Easy Check, CP4
Video	Input	8 channels WD1 + 4 channels 720P IP or 4 channels WD1 + 8 channels 720P IP
	Output	2 channels
	Total Resource	200/240fps @ WD1 + 120fps @ 720P or 100/120fps @ WD1 + 240 fps 720P
	Video Signal Standard	Electrical level: 1Vpp Impedance : 75Ω NTSC/PAL Optional
Audio	Input	12 channels (incl. IPC x 4)
	Output	2 channels
	Audio Signal Standard	Electrical level: 2Vpp Input impedance: 4.7kΩ
Display	Display Split	1/4/9
	OSD	GPS/BD information, alarm, temperature, acceleration, voltage, device information, software version, MCU version, network status
Operation	Video/Audio Compression	Semi-transparent GUI Video: H.264 Audio:ADPCM
	Image Resolution	Analog: PAL:WD1(928x576),WHD1(928x288),WCIF(464x288),D1(704x576),HD1(704x288), CIF(352x288) NTSC:WD1(928x480),WHD1(928x240),WCIF(464x240),D1(704x480),HD1(704x240), CIF(352x240) Digital:720P(1280x720)
Recording	Image Quality	1~8 levels adjustable (1 is the best)
	Recor Mode	Boot up/Manual/schedule/Alarm (sensor trigger, speed, acceleration, video loss, temperature)
	Pre-recording	0 ~ 60 minutes
	Post-recording	0 ~ 30 minutes
Playback	Mirror/Dual Recording	Yes
	Playback Ch	1/4 channels by local playback
	Search Mode	Date/time, channel, event
Network	Ethernet	RJ45 port (100M) x1
	IPC Ethernet	6-pin DJ (100M x 2, PON power supply)
	WIFI	802.11b/g/n (optional)
	3G/4G	EVDO/WCDMA/TDD-LTE/FDD-LTE
Locating	GPS	location tracking, speed detection and sync time
	Storage	Hard Disk 2.5" SATA HDD x 1 (up to 2TB)
Interface	USB	USB 2.0 x 2
	SD	SD x 1
	RS232/RS485	RS232 x 2 / RS485 x 2
	Sensor	8 inputs, 2 outputs
	Serial	G-sensor (internal)
	Speed	1 channel pulse speed detection
	Panel	CP4 (The multi-functional panel) optional
Electrical	Input	DC8~36V
	Output	12V @ 1A, 5V @ 1A
Mechanical	Dimension	277.8 x 215 x 95.5mm / 10.94" x 8.465" x 3.76"
	Weight	2.8kg / 6.173lbs
Environmental	Operating Temperature	-40°C~70°C / -40°F~158°F (with heater) -10°C~70°C / -14°F~158°F @ RH 8%~90%
Others	Waterproof	IP54
Certifications	EU / USA	CE, FCC
PC Software		Playback Analysis (Ceiba II)