

LED Bulb Lamp



9W A19

With an industry standard E27 base, A19 can be a great substitution for traditional bulb and save about 80% energy per year. Long duration and stable lighting can easily fit your requirements. It is an ideal solution for hard to reach light fixtures.

- Advanced LED Technology
- Energy Saving(9W)
- Reduce CO₂ Emission
- Superior Quality Light
- Ecologically Friendly

Table of Contents

• Dimensions.....	2
• Absolute Maximum Rating.....	2
• Specifications.....	3
• Illuminance and Field Angles.....	3
• Light Patterns.....	4
• Application Notes.....	4
• Lifetime.....	5
• Environmentally Friendly.....	5
• Economical.....	6
• Package Information.....	7
• List of the modifications.....	8

Dimensions

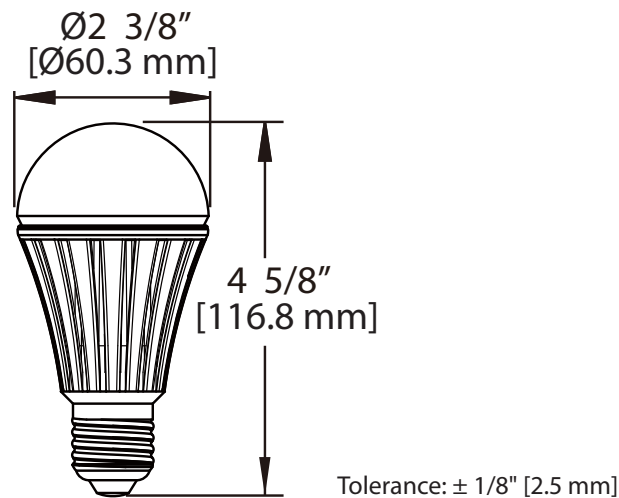


Figure 1 : Dimensions for 9W A19.

Absolute Maximum Rating

Parameter	Rating	Units
Plastic Housing Temperature	65	°C
Operating Temperature	-20 ~ +40	°C
Storage Temperature	-40 ~ +60	°C
AC Input Voltage	220~240	V
Equilibrium Temperature	60	°C

Table 1: Absolute maximum rating for 9W A19.

Specifications

Parameter	Rating	Units
Power Consumption	9	Wattage
Field Angles	240	Degree
Color Temperature	3000 / 6000	K
CRI	80 / 70	--
Weight	155 ± 5	g
Base	E27	--

Table 2: Specifications for 9W A19.

Illuminance and Field Angles

• Cool White / Warm White

Power Consumption(W)	Part Number	Field Angles	CCT(Typ.)	Lm(Typ.)
9W	LB-A19-09010x	240°	5650~7000K	800
	LB-A19-09030x		2670~3050K	650

Table 3: Illuminance and field angles for 9W A19.

Notes:

1. Lux value is measured under thermal balanced condition. (i.e. after 1 hour continuous operation)
2. LED is a dynamic and constantly evolving technology. The final flux output of your 9W A19 may vary.
3. Input voltage = AC 220~240V.

Nomenclature

The following table describes the available colors, and angles.

LB - A19 - 09 0 1 00
 X1 X2 X3 X4 X5 X6

X1	X2	X3
SSL Serises	Product name	Wattage
Ledion Bulb	A19	09 = 9W

X4	X5	X6
Field Angle	Color	Series Number
0 = 140°	1 = Cool White 3 = Warm White	

Figure 2: Nomenclature for 9W A19.

Light Patterns

The diagrams present the light patterns with respect to different color temperature .

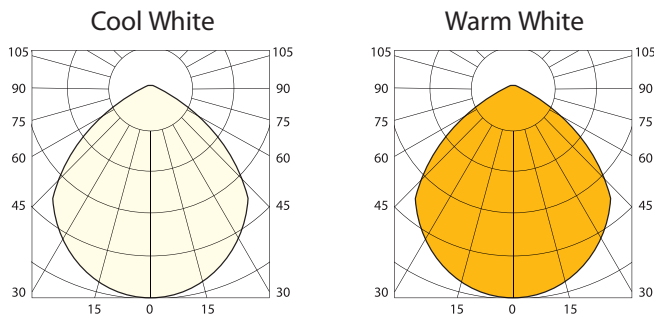


Figure 3: Light patterns of 9W A19 for different CCT.

Application Notes

9W A19 can be used in widely applications from restaurant, hallway, patio to our residential use. Easy installation and directly replacement of traditional bulb, A19 integrated with high efficiency driver to provide long lasting and stable lighting source.



Figure 4 : Application picture for 9W A19.

Lifetime

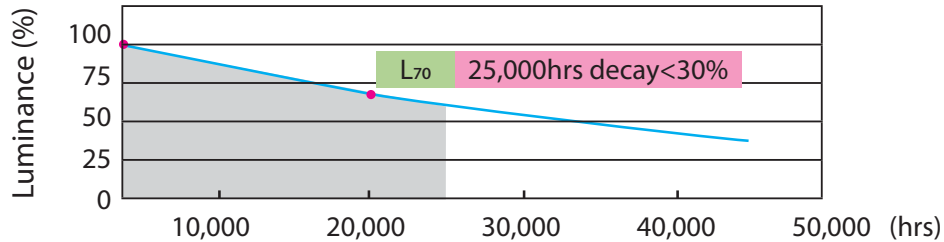


Table 4: Lifetime for 9W A19.

Environmentally Friendly

With the increasing demand for energy and the effect on global warming, Ledion Lighting plays a role in preserving the forest by reducing energy consumption, and CO₂ emission one step at a time.

Replacing traditional halogen lamp with Ledion Lighting 9W A19 lighting application, one can help in reducing global warming by 285 kg of CO₂ annually.

9W A19 VS 60W Incandescent

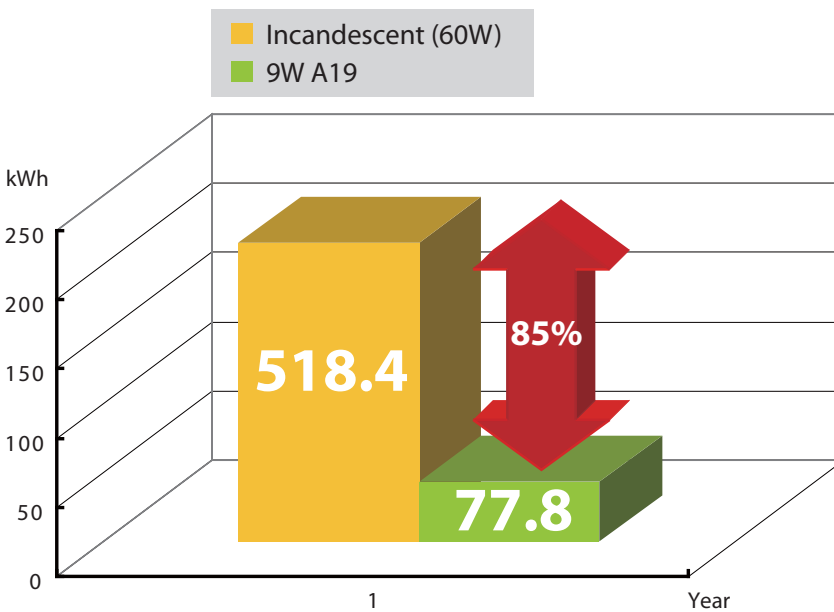
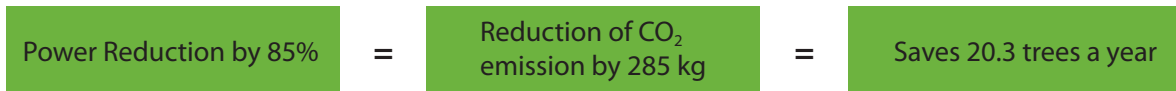


Figure 5 : Environmentally Friendly for 9W A19.

Note : 1.Calculation based on 24 hours of daily operation.

Economical



Power Consumption: 60W
Expected Lifetime: 3,000hrs



Power Consumption: 9W Saving: 172.8 kWh / year
Expected Lifetime: 25,000 hrs

Accumulated cost over lifetime

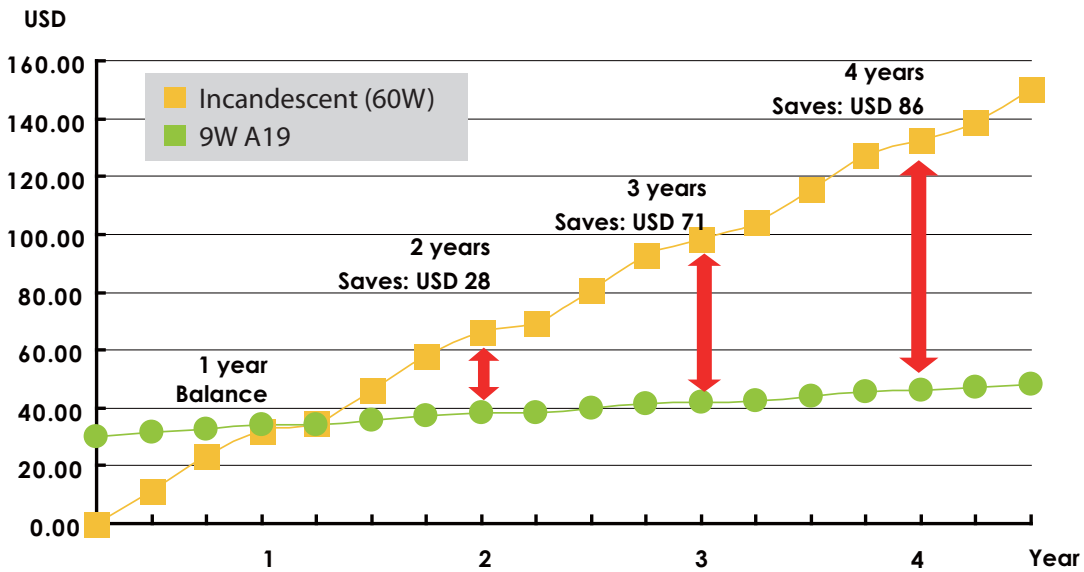
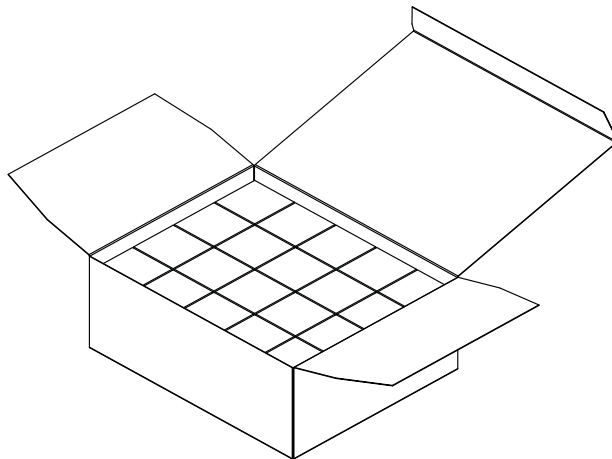


Figure 6 : 9W A19 VS 60W Incandescent.

Notes : 1.Calculation based on 24 hours of daily operation (€9.41/kWh).
 2.Cost includes the replacement of 60W Incandescent A19.

Package Information(Standard)

Note :
Exterior Box Dimensions : 350mm(length)*283mm(width)*143mm(height)



Exterior Box (20 Pcs. of 9W A19)

Figure 7: Standard Package for 9W A19.

List of the modifications

Versions	Modification	Date
1	Establish a Datasheet.	2011.07.01
2	Modify the Field Angles.	2011.08.10

Table 4: list of the modifications for 7W A19.