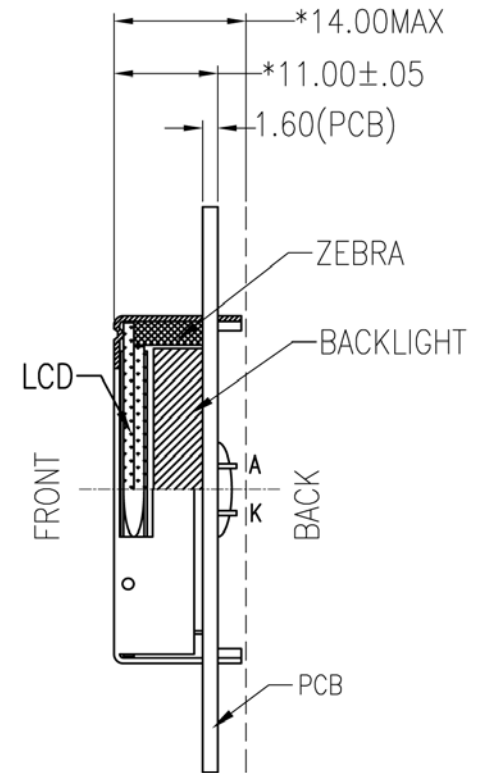
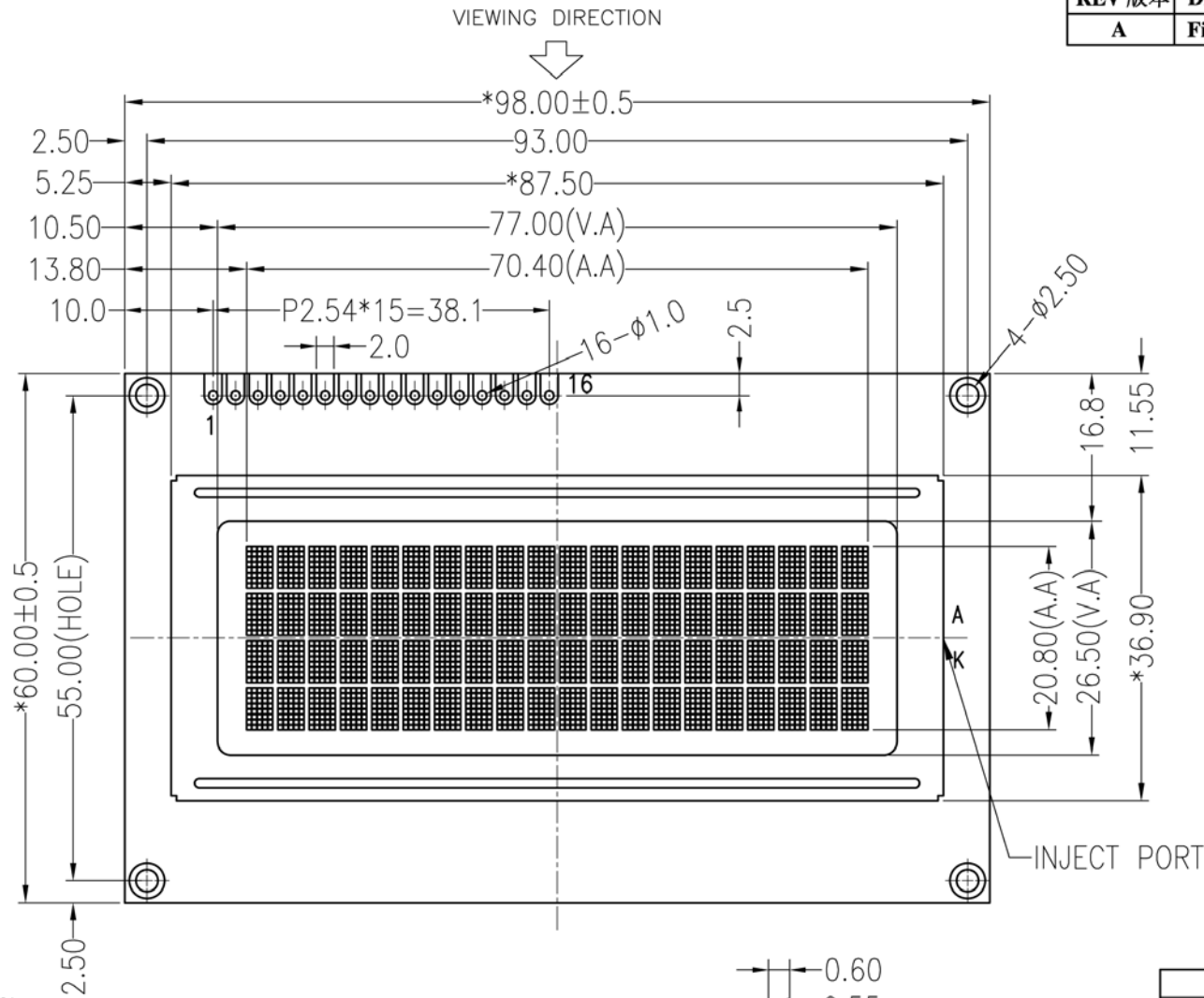
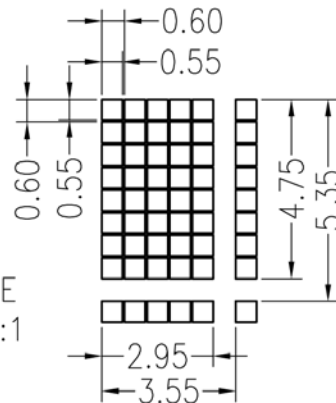


REV 版本	DESCRIPTION 描述	DATE 日期
A	First issue	OCT-25-2007



Specification:

- Driving: Duty:1/16,Bias:1/5, VLCD:4.5V, VDD:5.0V
- Viewing angle: 12 O'clock
- Display mode:STN/Positive/Transmissive/Y-G
- Operating temp.: -20°C~+70°C
Storage temp.: -30°C~+80°C
- IC: SPLC780D-01
- Backlight: Bottom, Yellow-Green
- Dimensions with mark "*" are important, with mark "(") are referenced
- All the raw materials are RoHS compliant



DOTS SIZE
SCALE: 4:1

PIN	1	2	3	4	5	6	7	8
CONNECTION	VSS	VDD	VO	RS	R/W	E	DB0	DB1
PIN	9	10	11	12	13	14	15	16
CONNECTION	DB2	DB3	DB4	DB5	DB6	DB7	LEDA	LEDK

深圳秋田微电子有限公司
SHENZHEN AV-DISPLAY CO.,LTD.

SCALE: FIT 适应图面
SHEET: 1 OF 1
页次

PART NO: 零件编码	C/D 结构图	PROJECTION 三角法	MODEL NUMBER 模组型号	GENERAL TOL: ±0.3 未注公差	UNIT 单位 mm
		ABC020004G22-YLY-R	ABC020004G22-YLY-R	APPROVALS 签字	DATE 日期
ABC020004G22-YLY-R			APP:	CHK:	DWN:
			DO NOT SCALE THIS DRAWING.		