



1/3" CL Mini Pan / Tilt Dome Camera

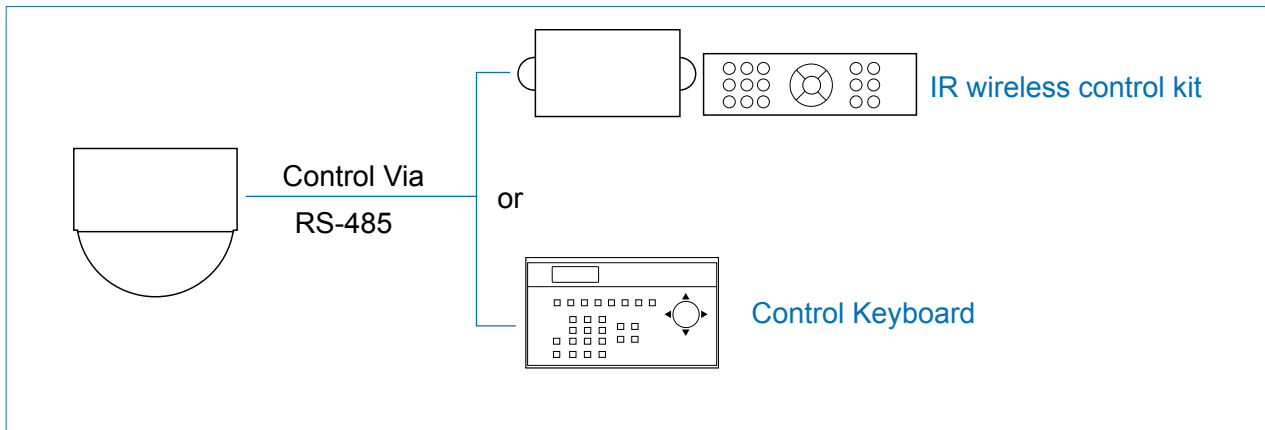
- Auto travel function
- Support 6 preset groups (up to 16 preset points)
- Remote control via RS-485 interface
- Built-in 1 alarm input
- Using external IR receiver kit can control up to 9 devices, Using control keyboard can control up to 15 devices
- Package include: Dome Camera, IR Receiver, IR Controller

Specifications

Model Name	AV-2E49
Image Device	1/3" Color Sony Super HAD
Picture Elements	NTSC:510x492, PAL:500x582
Resolution	380 TVL
Min. Illumination	0.2 Lux / F 2.0
Electronic Shutter	NTSC:1/60~1/100,000, PAL:1/50~1/110,000
Lens Mount	Board Lens 3.6mm / F2.0 (option: 2.5/4.3/6/8/12/16mm)
White Balance	Auto
Gain Control	Auto
Back Light Comp.	Yes
Pan / Tilt Control Angle	Pan 0°~340°, Tilt 0°~80°
Pan / Tilt Speed Control	Manual: Pan 1° ~ 150° / sec, Tilt 1° ~ 100° / sec Auto: Pan 1° ~ 300° / sec , Tilt 1° ~ 200° / sec
Alarm Input	Adjustable N.C. / N.O. property via dip-switch
Controller Interface	RS-485
Remote Control	IR Wireless Control Kit (option: Control Keyboard)
Preset Point	16 preset points
Compatible Protocol	PELCO D&P protocol
Sync. System	Internal
Video Output	1 Vp-p / 75 Ohms
Power Supply	DC12V±10%
Power Consumption	1000mA max.
Operating Temp.	-10°C ~ 50°C

Design and specifications are subject to change without notice.

System Configuration



Dimensions

