



ACM-3511

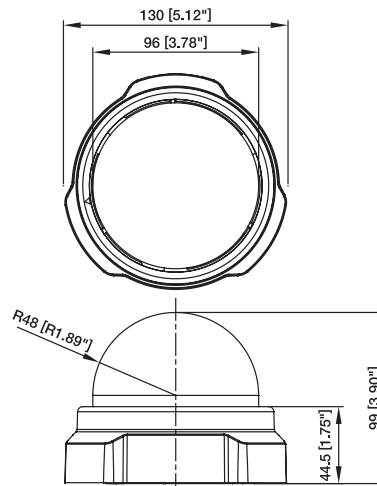


- 1/3" Micron Progressive Scan CMOS
- Day and night function with Mechanical IR Cut Filter
- Integrated f3.3~12mm / F1.6 Megapixel lens
- 0 Lux at F1.6 (IR LED ON)
- Selectable MPEG-4 / MJPEG compression
- Up to SXGA resolution at 8 FPS
- Multi-stream with variable frame rate in the same compression
- Two-way audio supported
- Hardware motion detection
- DC 12V or Power over Ethernet (IEEE 802.3af) supported
- Surface and wall mount supported



- 1 Audio Input / Output
- 2 Reset Button
- 3 DC 12V Power Input
- 4 Ethernet Port

DIMENSION DIAGRAM



Unit: mm [inch]



ACM-3511

PRODUCT SPECIFICATION

		ACM-3511
Image	Device	Micron Progressive Scan SuperCMOS
	Size	1/3 inch
	Effective Pixels	1280 (H) x 1024(V)
Min. scene Illumination	Color	Color mode automatically switched to B/W mode under 4 Lux
	B/W	0 Lux (IR LED ON)
	IR Sensitivity	from 700nm to 1100nm
	IR LED	IR LED x24 (850nm)
	CDS Sensor	Yes
	IR Working Distance	20 ~ 30 M (30 IRE)
	Lens	f3.3 ~ 12mm / F1.6
Camera Angel Adjustmeny	Viewing Angle	89.8° ~ 23.9° (Horizontal)
	X (Panning)	0° ~330°
Synchronization	Y (Tilting)	30° ~90°
	Sync. System	Internal
Day/Night Functions	Mechanical IR Cut Filter	Yes
Functions	Motion Detection	Yes (3 Windows)
	Electronic shutter	1/5 ~ 1/15,000 sec
	Fixed Shutter (Manual)	1/30 ~ 1/1,000 sec. (60Hz); 1/25 ~ 1/1,000 sec. (50Hz)
	Flickerless	1/120 sec. (60Hz); 1/100 sec. (50Hz)
	BLC	Yes
	AGC	Automatic (User defined)
	White Balance	AUTO,INDOOR1,INDOOR2,OUTDOOR1,OUTDOOR2, HOLD CURRENT,MANUAL
S/N Ratio	S/N Ratio	Better than 44 dB
Video Compression	Compression	MPEG-4 SP, MJPEG selectable
	Picture Resolution	SXGA (1280x1024); HD 720 (1280x720); VGA (640x480); QVGA (320x240); QQVGA (160 X 112)
	Bit Rate	28 K ~ 3 M bps
	Image Frame Rate	SXGA at 8 fps; HD720 at 10 fps; VGA at 30 fps; QVGA at 30 fps; QQVGA at 30 fps
Audio Input	Compression	8kHz, Mono, PCM
	Audio Line Input	Unbalanced, 1.4Vp-p, 1Vrms, terminal block
Audio Output	Compression	8kHz, Mono, PCM
	Audio Line Output	Unbalanced, 1.4Vp-p, 1Vrms, terminal block
External I/O	Reset Button	Factory Default
Casing	Mount Tpyes	Surface / Wall (option)
Network	Ethernet	Ethernet (10/100 Base-T), RJ45 Connector
	Protocol	TCP, UDP, IP, HTTP, DHCP, PPPoE, RTP, RTSP, FTP, SMTP, DNS, DDNS, NTP, ICMP, IGMP, ARP
Software	Web Browser	Microsoft Internet Explorer 6.0 or above
	SDK	ACTi SDK-10000
Operating	Security	Password Protection: Configured by the Administrator
Power	Temperature	-10 °C~50 °C (14~122 °F)
	Power Requirement	PoE (IEEE802.3af) with Class 3
Physical	Power Consumption	5.0W (DC 12V); 6.8W (PoE)
	Dimensions (ØxH)	130 mm x 99 mm (5.12" x 3.90")
Approvals	Weight	380g (0.84 lb)
	Certificate	CE, FCC

ACCESSORY OPTIONS

- Wall mount kit
- Fixed Dome Cover-Smoke Cover

PMAX-0300-000R0
PDCX-0100-000R0



PMAX-0300-000R0



PDCX-0100-000R0