



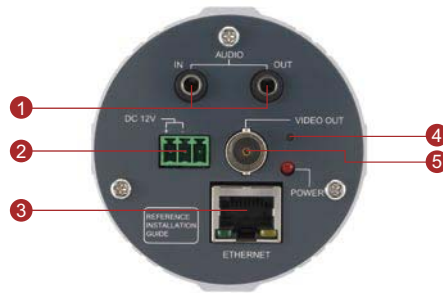
MPEG-4 Indoor SuperCMOS
IP Bullet Camera with IR Option

ACM-1100 Series



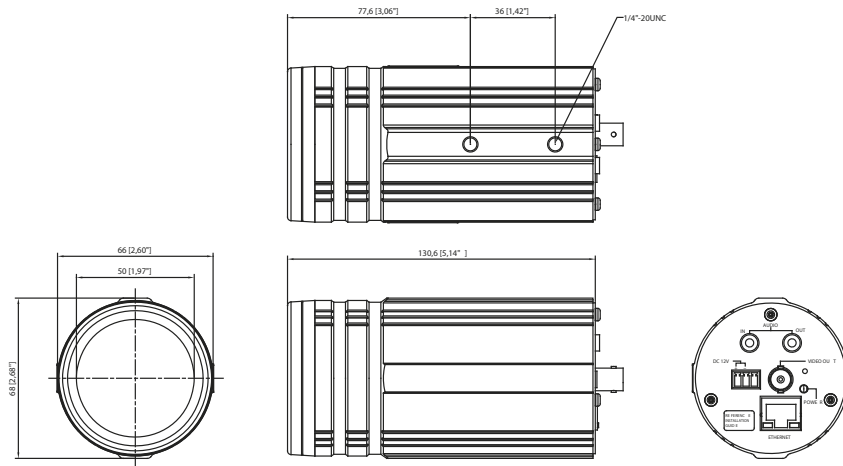
* The bracket is not included.

- Superior low-light performance down to 0.1 Lux
- Build in 3.8 mm fixed lens
- Aluminum enclosure
- Build in IR LED and CDS sensor (ACM-1110 series)
- MPEG-4 SP compression
- CIF up to VGA resolution at 30/25 FPS
- Two way audio supported
- Power over Ethernet (IEEE 802.3af) supported (ACM-1101/ACM-1111)

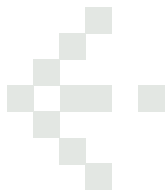


- 1 Audio input / output
- 2 DC 12 V power input
- 3 Ethernet port
- 4 Reset button
- 5 Composite video output

DIMENSION DIAGRAM



Unit: mm [inch]



ACM-1100 Series

PRODUCT SPECIFICATION

		ACM-1100	ACM-1111
Image	Device	Micron Interlaced Scan SuperCMOS	
	Size	1/4 inch	
	Effective Pixels	640 x 480 (NTSC); 640 x 480 (PAL)	
Min. Scene Illumination	Color	0.1 Lux at F2.0	Color mode automatically switched to B/W mode under 7 Lux
	B/W	N/A	0 Lux at IR LED On
	IR Sensitivity	N/A	from 700 nm to 1100 nm
	IR LED	N/A	IR LED x24 (850 nm)
	CDS Sensor	N/A	Yes
	IR Working Distance	N/A	10 ~ 15 M (30 IRE)
Lens	Focal Length	f 3.8 mm / F 2.0	
	Viewing Angle	71.5° (Horizontal)	
Synchronization	Sync. System	Internal	
Day/Night Functions	Day/Night Switching	N/A	Mechanical IR cut filter
Functions	Motion Detection	Yes (3 windows)	
	Electronic Shutter	1/25 ~ 1/62,500 sec. (NTSC); 1/30 ~ 1/62,500 sec. (PAL)	
	BLC	On/Off (switchable)	
	AGC	Automatic	
	White Balance	AWB / MWB (switchable)	
S/N Ratio	S/N Ratio	Better than 38.8 dB	
Video Compression	Compression	MPEG-4 SP	
	Picture Resolution	VGA (640x480 in NTSC, 640x480 in PAL); CIF (352x240 in NTSC, 352x288 in PAL); QCIF (176x120 in NTSC, 176x144 in PAL)	
	Bit Rate	28 K ~ 3 M bps	
	Image Frame Rate	30 fps at VGA resolution (NTSC); 25 fps at VGA resolution (PAL)	
Video Output	Video Output	CVBS, 1.0Vp-p with 75 Ω loading, BNC connector	
Audio Input	Compression	8 kHz, Mono, PCM	
	Audio Line Input	Unbalanced, 1.4Vp-p, 1Vrms, 3.5 mm Jack	
Audio Output	Compression	8kHz, Mono, PCM	
	Audio Line Output	Unbalanced, 1.4Vp-p, 1Vrms, 3.5 mm Jack	
External I/O	Reset Button	Factory default	
	LED	System status	
Network	Ethernet	Ethernet(10/100 Base-T), RJ-45 connector	
	Protocol	TCP, UDP, IP, HTTP, DHCP, PPPoE, RTP, RTSP	
Software	Web Browser	Microsoft Internet Explorer 6.0 or above	
	SDK	ActiveX control, C SDK	
	Security	Password protection: configured by the administrator	
Operating	Temperature	0 °C ~ 40 °C (0 °F ~ 104 °F)	
Power	Power Requirement	DC 12 V ±10% (ACM-1100) PoE (IEEE802.3af) with Class 3 (ACM-1101)	PoE (IEEE802.3af) with Class 3 (ACM-1111)
	Power Consumption	3.2 W (DC 12 V) 3.7 W (PoE)	6.3 W (PoE) w/ IR ON
Physical	Dimensions (ØxH)	66 mm x 130.6 mm (2.6" x 5.14")	
	Weight	460 g (1.0 lb)	

ORDERING INFORMATION

Model Name	NTSC	PAL	DC 12 V	DC 12 V / PoE	IR
ACM-1100N	V		V		
ACM-1100P		V	V		
ACM-1101N	V			V	
ACM-1101P		V		V	
ACM-1111N	V			V	V
ACM-1111P		V		V	V

ACCESSORY OPTIONS

- Camera bracket 69-GL220E-R0