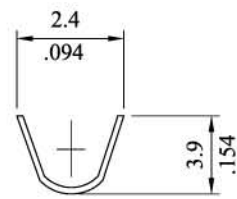
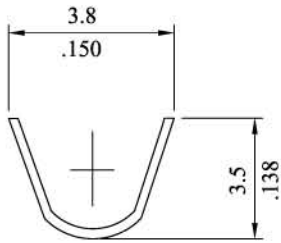
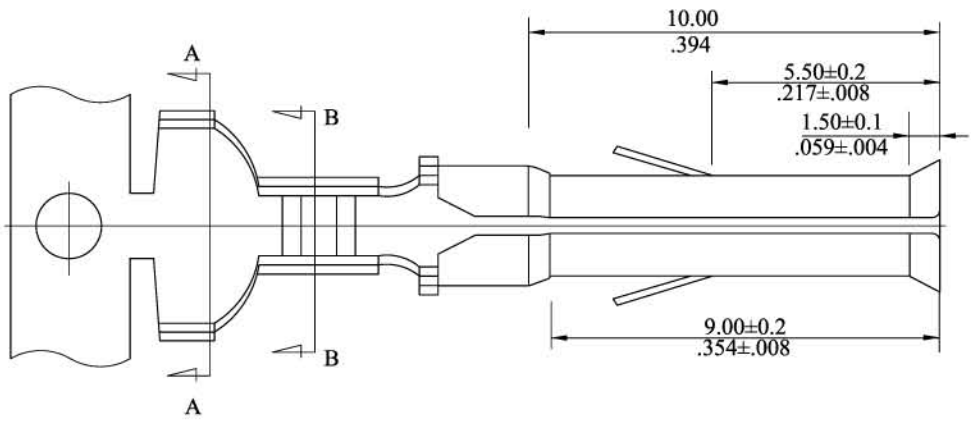
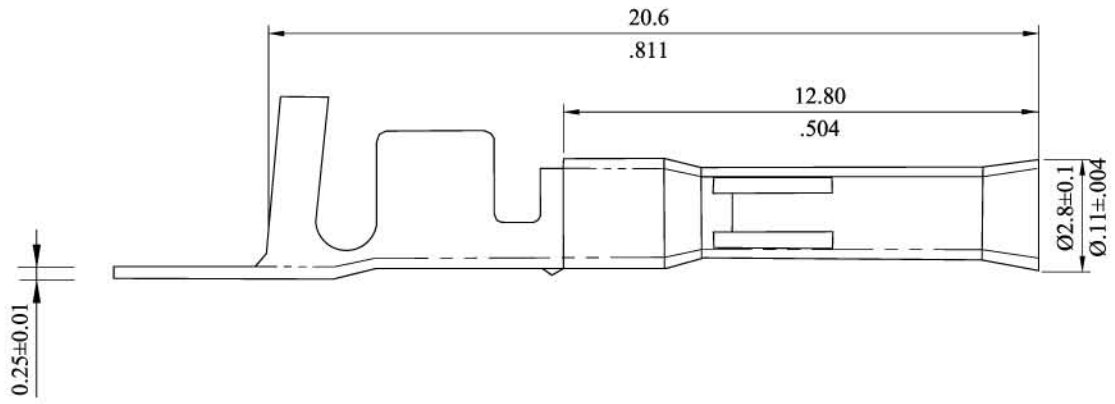


RoHS COMPLIANT

Material:
 Contact: Brass
 Plating: Tin plated 60μ " min.



SECTION A-A

SECTION B-B

				APPROVED:							
				DATE:			TITLE:				
				CHECKED:			TERMINAL				
				DATE:							
				DRAWN:							
				DATE:							
B	ES110121			GENERAL TOLERANCES: (UNLESS SPECIFIED)			UNITS	SCALE	SIZE	SHEET	REV.
A	DWG REL			1 PLACE	± 0.30	± --	mm inch	5:1	A4	1/1	B
REV.	ECO. NO.	CHG.	APP.	2 PLACES	± 0.20	± .012					
				3 PLACES	± 0.10	± .008					
				4 PLACES	± --	± .004					
				ANGULAR ± (1°)							