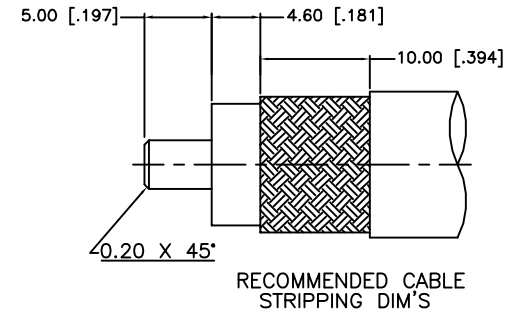
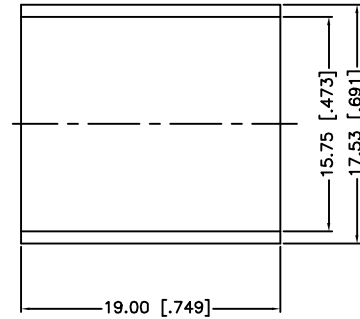
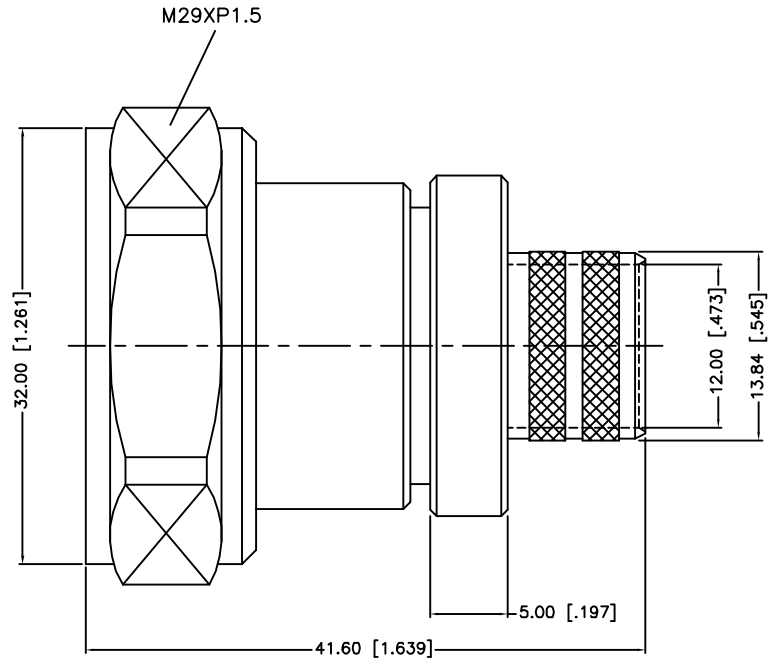


REV.	DATE	DESCRIPTION
NC	12/29/00	INITIAL RELEASE
A	12/15/06	UPDATE DRAWING FORMAT
B	01/29/10	ADDED CABLE STRIPPING DIMENSIONS



NOTES: FINISH (PLATING THICKNESS IN MICRO-INCHES)

1. BRASS PER QQ-B-626
2. SILVER PL. 120 MIN. THICK OVER COPPER STRIKE
3. BERYLLIUM COPPER PER QQ-C-530.
4. SILVER PL. 200 MIN. THICK OVER COPPER STRIKE
5. TEFLON MIL-P-19468

NO	DESCRIPTION	MATERIAL	FINISH	QTY	APPROVALS	DATE	PART DESCRIPTION	DWG. NO.	REV.	SIZE	SCALE
6	FERRULE	COPPER	NEXCOTE	1	BALAJI M	01/29/10					
5	GASKET	SILICONE	RED	1							
4	CONTACT PIN	BER. COPPER	SILVER	1							
3	INSULATOR	TEFLON	NATURAL	1							
2	NUT	BRASS	NEXCOTE	1							
1	BODY	BRASS	NEXCOTE	1							
<small>UNLESS OTHERWISE SPECIFIED DIMENSIONS ARE IN MILLIMETERS. DIMENSIONS IN [] ARE IN INCHES AND FOR CUSTOMER REFERENCE ONLY.</small> <small>UNLESS OTHERWISE SPECIFIED TOLERANCES FOR MILLIMETERS ARE: 0.5 - 8mm ± 0.20mm 8 - 30mm ± 0.40mm 30 - 120mm ± 0.50mm</small> <small>UNLESS OTHERWISE SPECIFIED TOLERANCES FOR INCHES ARE: .020 - .315 = ± 0.007" .315 - 1.180 = ± 0.015" 1.180 - 4.724 = ± 0.020"</small>					<small>DO NOT SCALE DRAWING</small>		<small>CAD FILE</small> C:\272\272108.DWG				