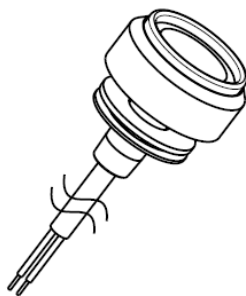


## CC9092S-F iButton Reader (Clip Mounting)

(Compatible with Maxim's DS9092+ Probe)



The CC9092S-F iButton reader is fixing clip mounting probe which is designed for magnetic iButton but it also compatible with DS9092+.

### Feature:

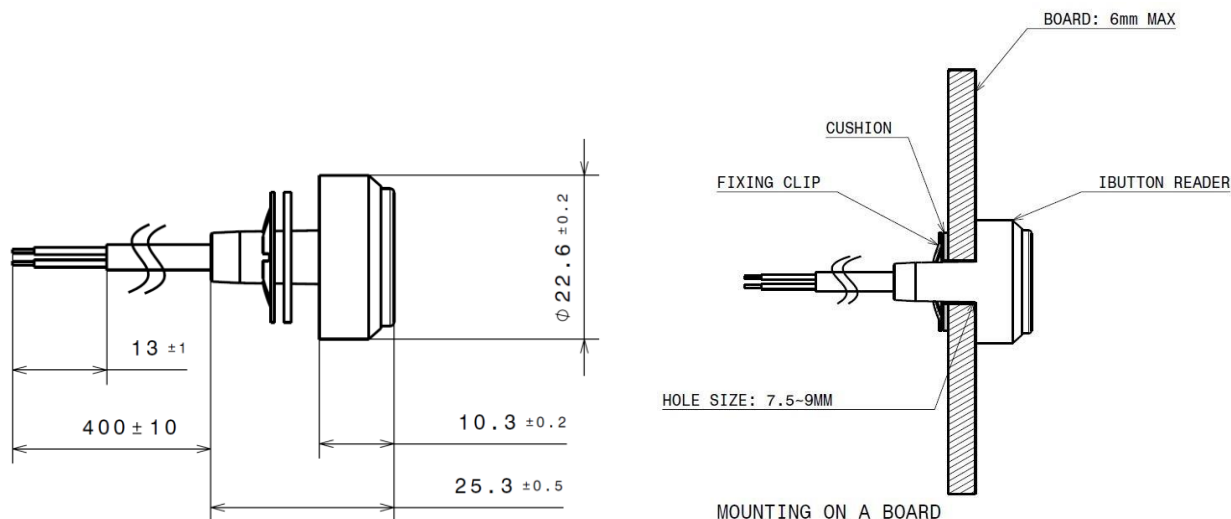
- Compatible with all standard F5 iButtons (non-magnetic type)
- Fixing by stainless steel clip, easy for installation
- Metal body made of steel and copper, metal parts are chromium-plating
- Standard cable length 40 cm

### Application:

- GPS tracking devices / Driver authorization / Driver identification
- EPOS system / Cash registers
- Access control system

### Diagram and Wiring:

- White/brown wire: 1-Wire data/signal
- Brown wire: 1-Wire GND



### Technical Data

1. Model	CC9092S-F
2. Cable	2*0.16mm <sup>2</sup> , 40cm length
3. Fastening method	Fixing clip mount
4. Weight	20g
5. Working temperature	-40° C - +85° C
6. Humidity	> 70%